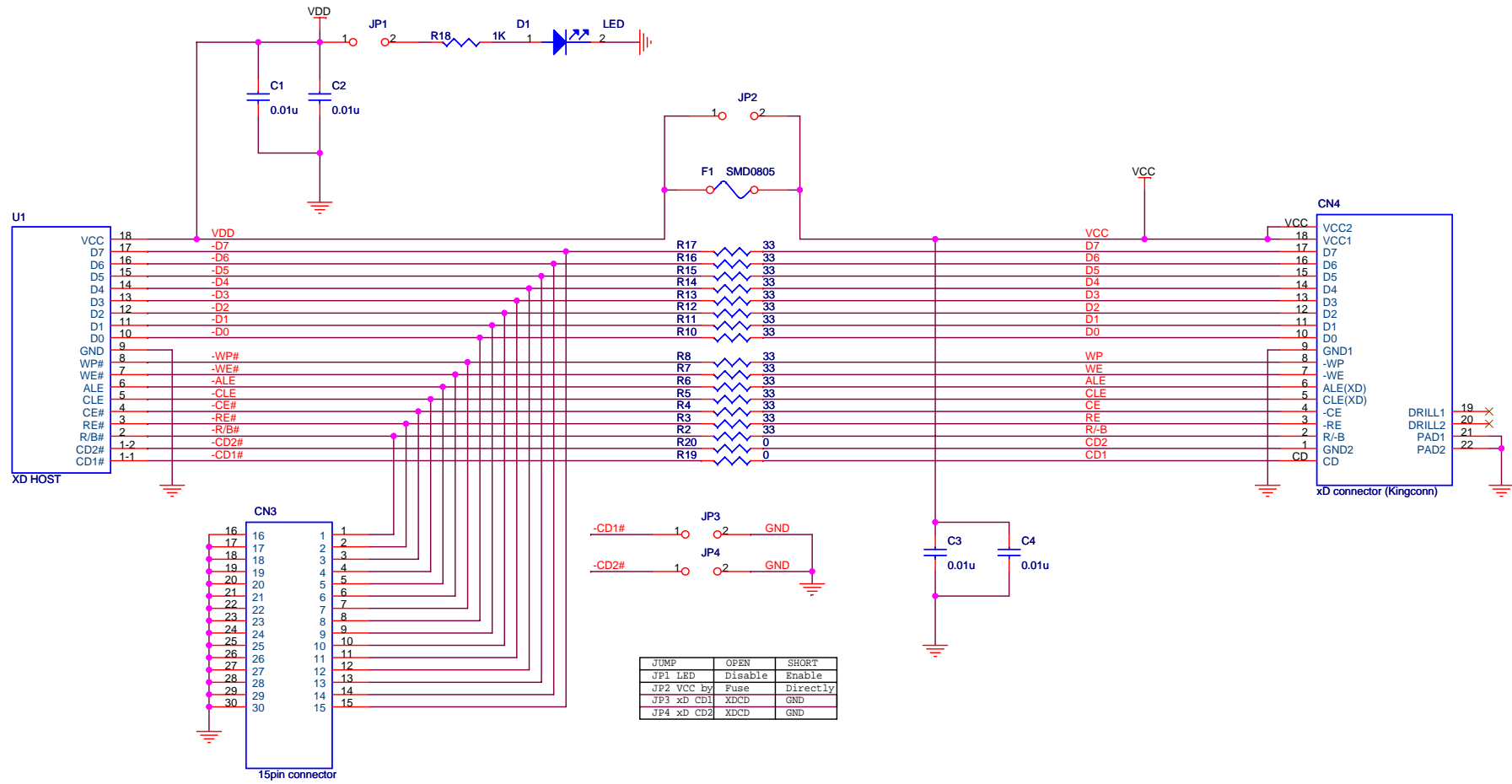


Reference Schematic Rev. 1.1

Schematic update note:

First schematic.....2007/Dec/20 V1.0

Second schematic.....2008/May/23 V1.1 (Update CD pin for PnP)



JUMP	OPEN	SHORT
JP1 LED	Disable	Enable
JP2 VCC by	Fuse	Directly
JP3 xD CD1	XDCD	GND
JP4 xD CD2	XDCD	GND

Title		Designer: Gerry Chen	
xD Extender Board			
Size	Document Number	Rev	
B	XDEX	1.1	
Date: Tuesday, August 19, 2008		Sheet	1 of 1