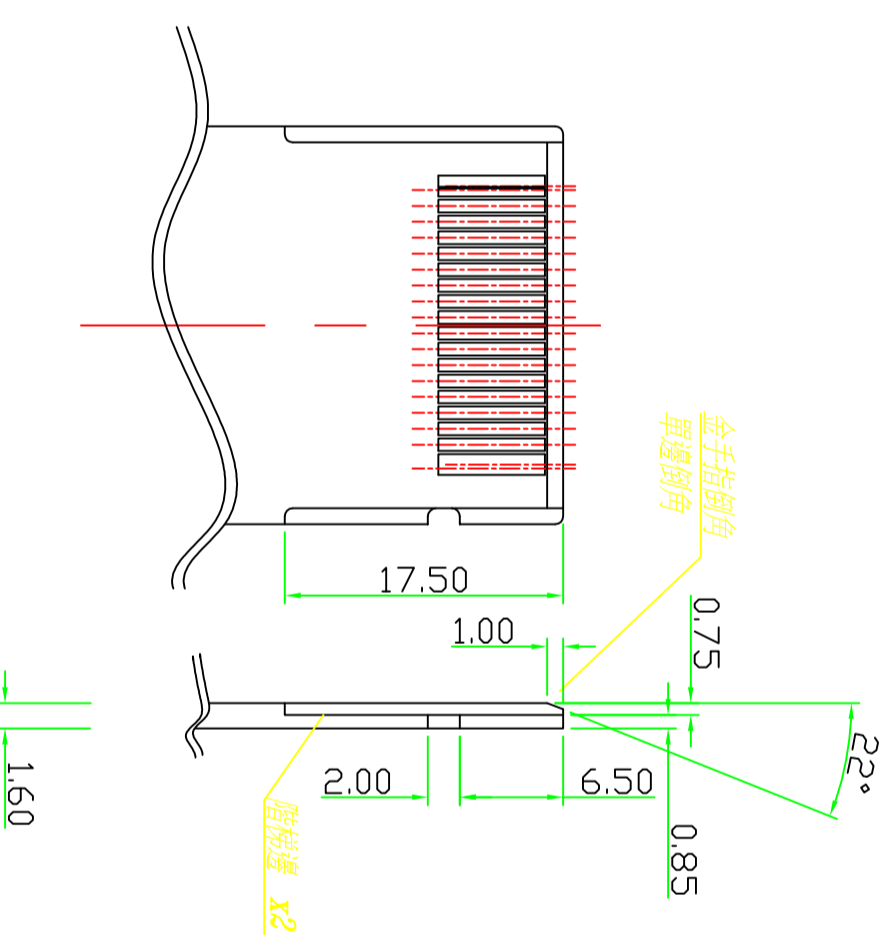


正面



背面

RECOMMENDED PCB LAYOUT
2layer PCB thickness 1.6mm

APPROVED:	- TOLERANCES -		UNIT:	TITLE :	SHEET
ENGINEER:	General	Angles	mm	xD Extender Card	1/1
CHECKED:	30~ ±0.25	0° ±10°	SCALE:	DRAWING NUMBER:	SIZE
	10~30 ±0.20	0.0° ±2°	1:1	A-G-xDExt-PCBL	A4
DRAWN:	5~10 ±0.15			Date	REV.
Gerry Chen	0~5 ±0.10			2008/Mar/03th	A/0

Bplus Bplus Technology Co., Ltd.