


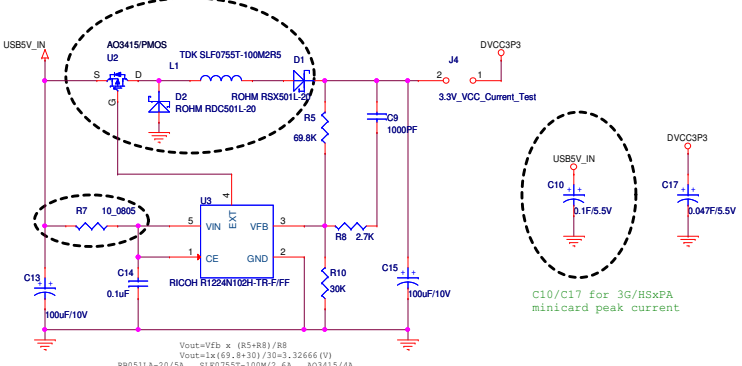
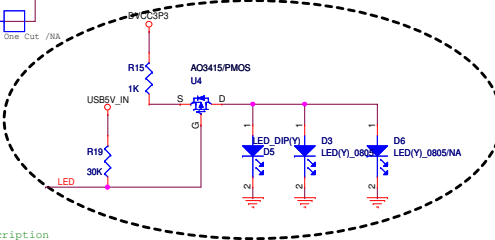
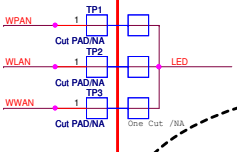
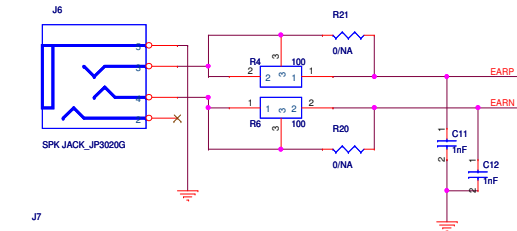
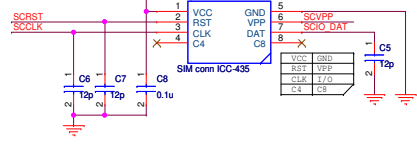
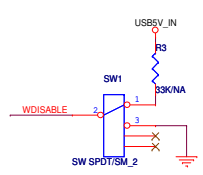
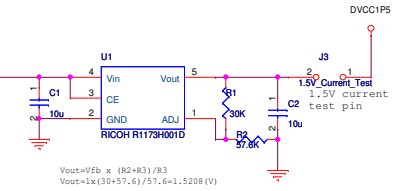
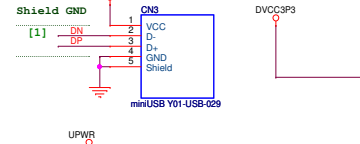
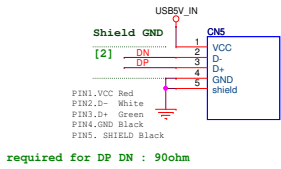
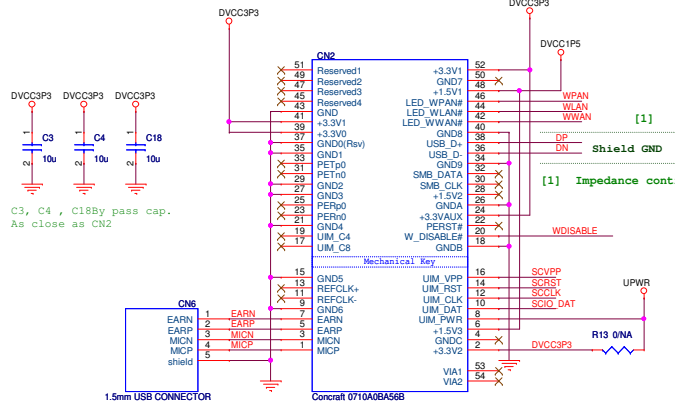
# Wireless USB Mini Card Adapter ver1.3

Model:USBMV / USBMV-D

EN1	USBMV	USBMV-D
EN5	INSTALL	NA

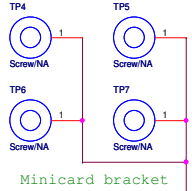
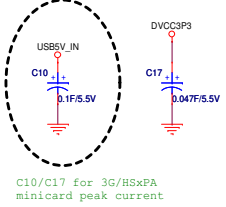
  
**AC100~240V in DC3.3V/2.5A**  
**AC100~240V in DC5.0V/2.5A**

DO NOT set J1 and J2 short at the same time.



Vout=VFB \* (R5+R8)/R8  
Vout=1x(69.8+30)/30=3.32666(V)

RB051LA-20/5A, SLP0755T-100M/2.6A, AO3415/4A



JUMP description

J1	External DC 3.3V POWER input
J2	External DC 5V POWER input
J3	3.3V current test
J4	1.5V current test

DC JACK POWER INPUT select	J1	J2
DC 5.0V IN	OPEN	SHORT
DC 3.3V IN (default)	SHORT	OPEN

DO NOT set J1 & J2 short at the same time.