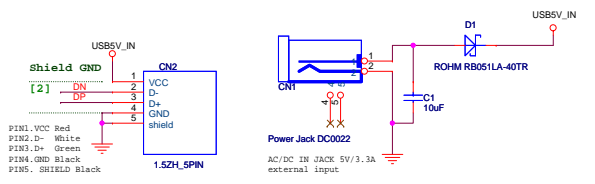


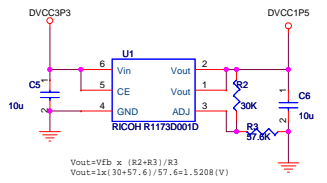
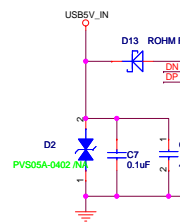
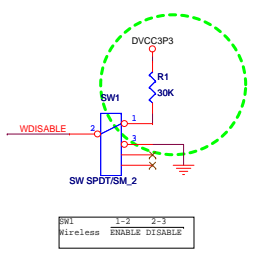
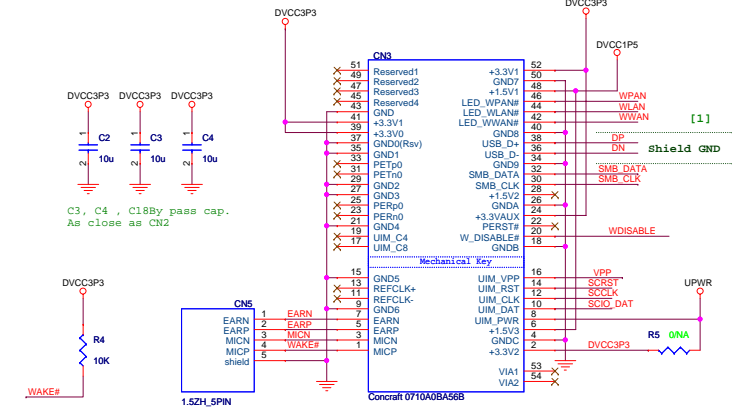
Wireless USB Mini Card Adapter ver1.2

Model:USBMS-E

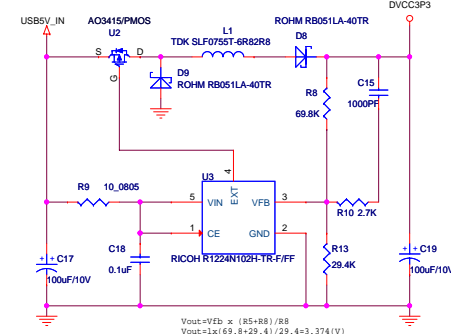
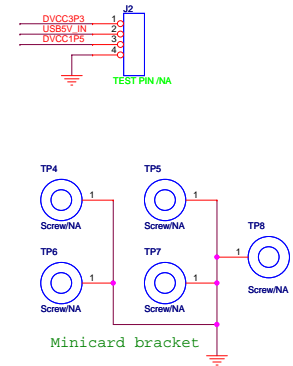
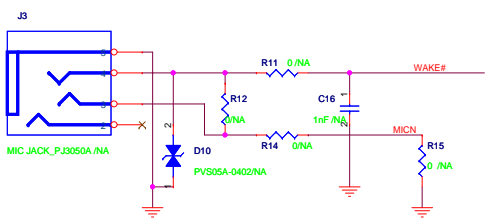
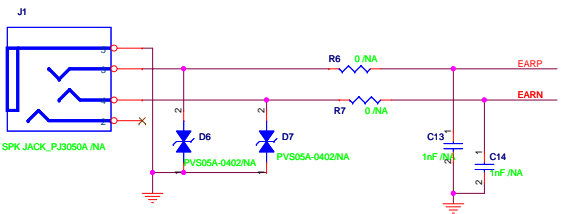
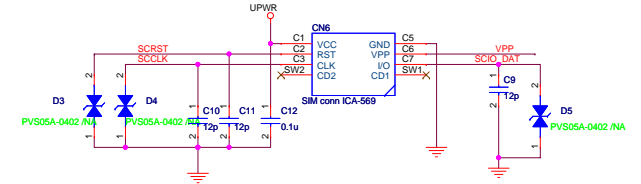
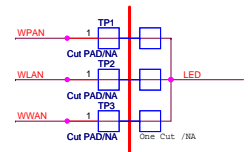
[1] Impedance control required for DP DN : 90ohm



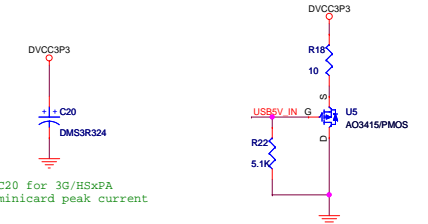
AC100~240V in DC5V/3A



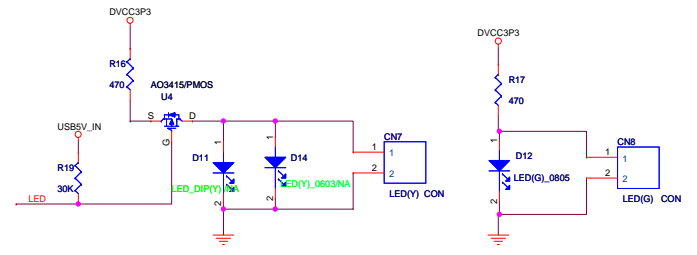
V/R circuit 3.3V to 1.5V for mini PCI-E 1.5V/1A



5V to 3.3V/2.8A DC2DC circuit diagram



Discharge circuit



CN7, CN8 for external assembly LED

Title		Wireless MiniCard to USB Reader		Design by:Gerry Chen	
Size	Document Number		www.Bpms.com.tw		Rev
	C		USBMS.DSN		
Date:	Wednesday, October 26, 2011		Sheet		1 of 1