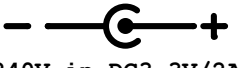


Wireless USB Mini Card Adapter ver1.1b

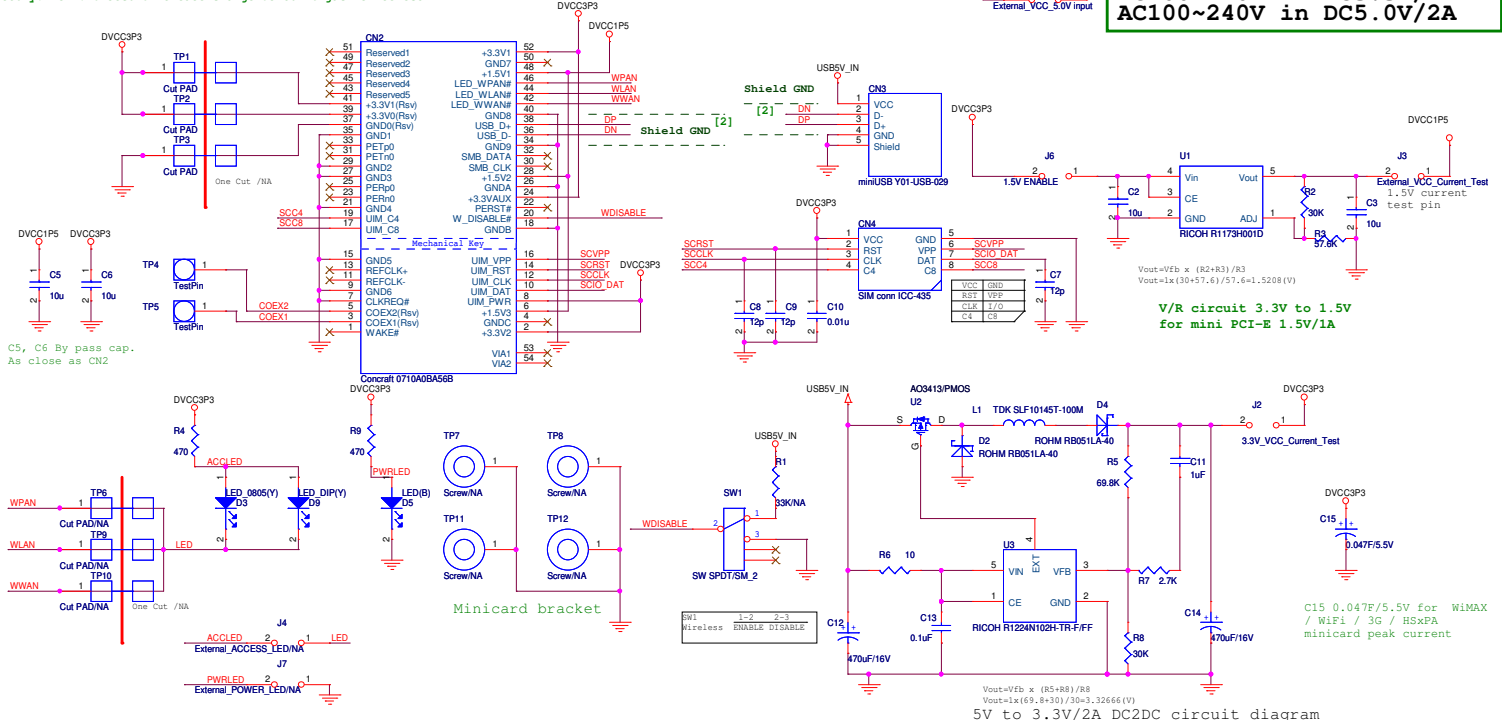
Model:USBMI

[1] Impedance control required for CLK+ CLK- PEXYP PEXYN PERXP PERXN : 100ohm
 [2] Impedance control required for DP DN : 90ohm

History: Ver1.1a first release
 History: Ver1.1b second release change J5 to DC jack 5V select



AC100~240V in DC3.3V/2A
AC100~240V in DC5.0V/2A



JUMP description

- J1 DC 3.3V POWER input
- J2 POWER from Internal DC2DC circuit connector
- J3 1.5V current test pin
- J4 external ACCESS LED output
- J5 DC 5.0V POWER input
- J6 1.5V POWER enable
- J7 external POWER LED output

DC JACK POWER INPUT select		J1	J5
DC 5.0V IN	OPEN	SHORT	
DC 3.3V IN (default)	SHORT	OPEN	

File	Wireless MiniCard to USB Reader	Design by:Gery Chen
Size	Document Number	Rev
B	USBMI.DSN	www.Bplus.com.tw
Date:	Monday, January 25, 2010	Sheet 1 of 1

V/R circuit 3.3V to 1.5V for mini PCI-E 1.5V/1A

5V to 3.3V/2A DC2DC circuit diagram