

USB2912A

USB Audio Codec

Product > USB2912A



First Impression

The USB2912A is use the TI PCM2912A single-chip USB stereo audio codec with a USB 2.0-compliant full-speed protocol controller and an analog front-end (AFE) function for headset applications, the USB protocol controller works with no software code. We can use it to listen to music and karaoke; Also, It design with an operational amplifier IC; it can make sound more powerful

Pecification

- Full-Speed Transceivers
- Certified By USB-IF
- Fully Compliant with USB 2.0 SPEC
- 16-Bit Delta-Sigma ADC and DAC
- Pop/Click Noise-Free
- Single Power-Supply:5V from USB power
- Stereo DAC with Headphone Output
- Mono ADC with Microphone Input
- Single 6-MHZ Clock Source from oscillator
- With an operational amplifier IC
- With PLAY,REC and Power LED

PC System Requirements

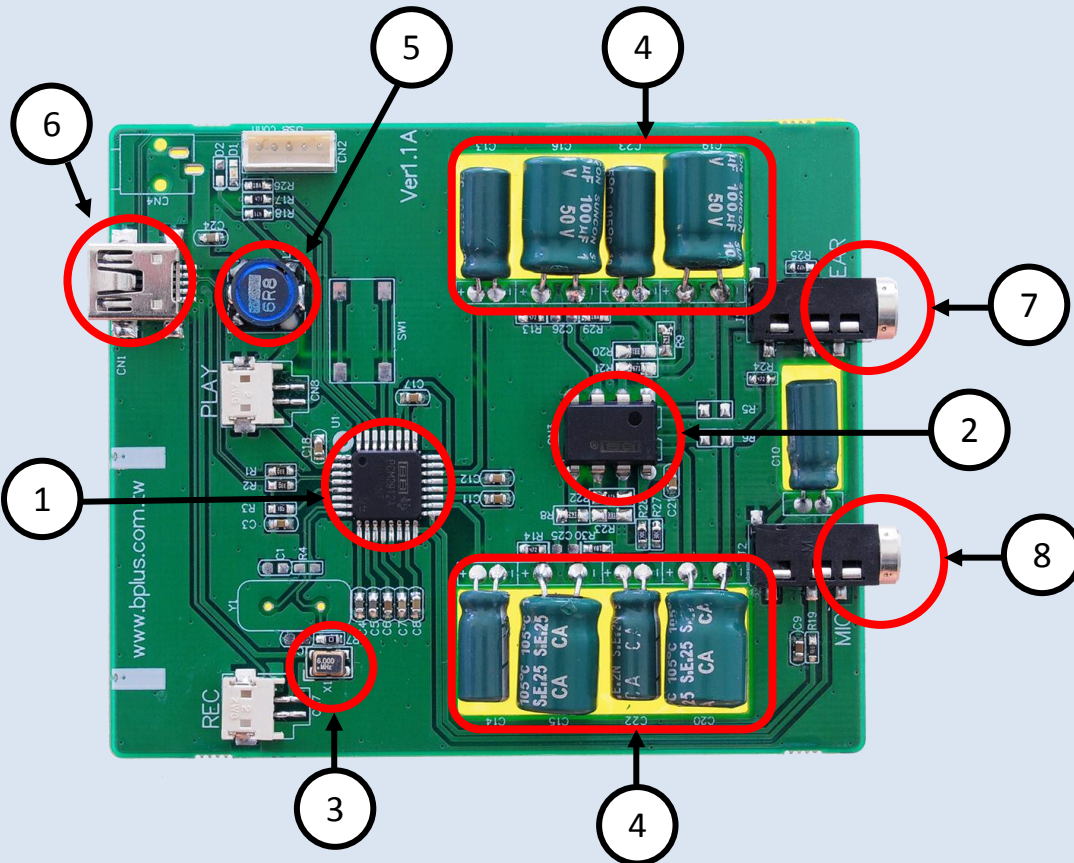
- ◆ USB port
- ◆ Mac, Windows, Linux

Mobile phone or Pad

- ◆ USB OTG port
- ◆ Android

Notice:

If you device is OS of android and have USB OTG port, you can use it to listen music but MIC function maybe not enable with you device.



1. TI , PCM2912A
2. NS, LME49720NA
3. TXC 6MHz, oscillator
4. Sanyo, OS-Con
5. TDK, Inductor
6. USB mini type-B connection
7. EAR: Earphone
8. MIC: Microphone

USB2912A Package Contents



USB2912A
(USB Audio Codec) x1



U2AMTB60
(USB 2.0 A Male to B Mini 5 Pin Cable 60cm) x1