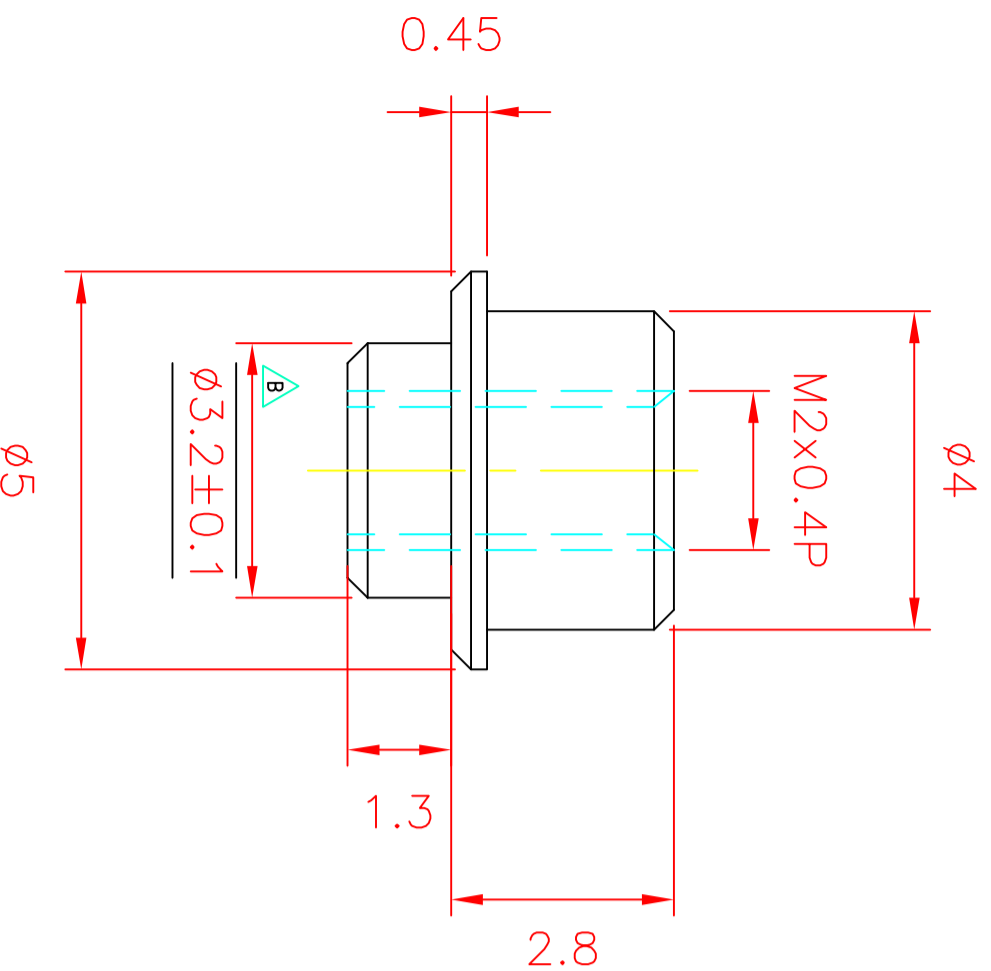
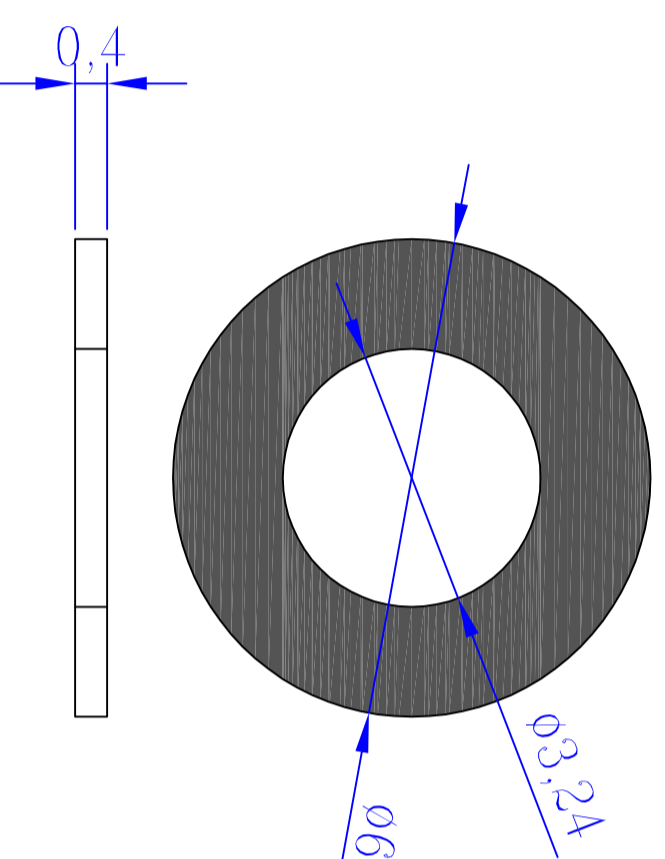


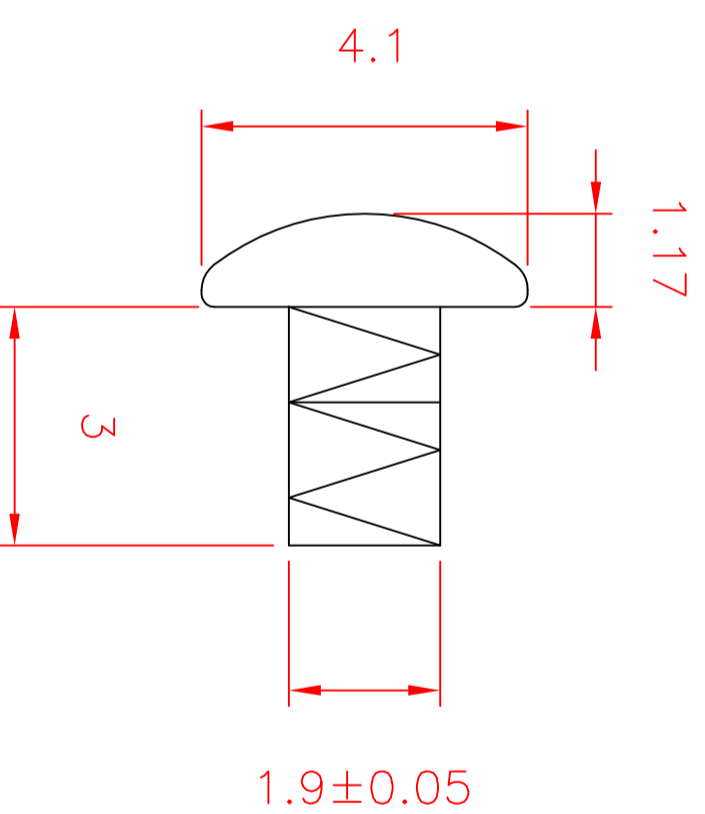
銅柱 stand off
材質：銅柱鍍鎳



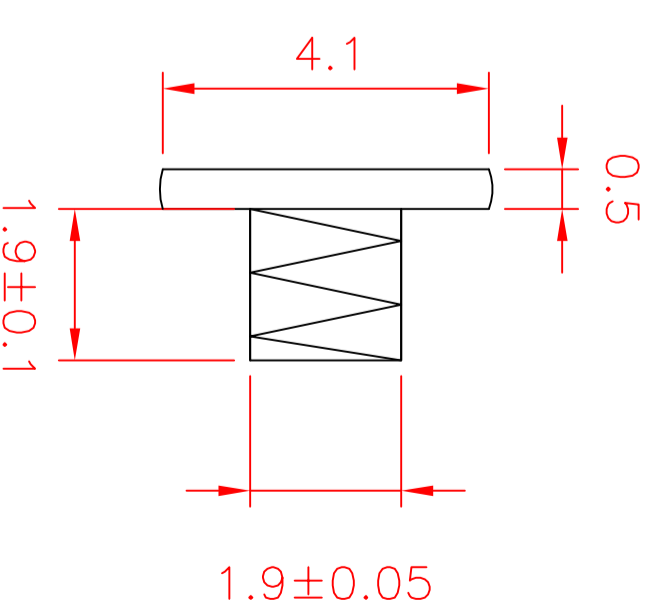
墊片 washer
材質：不鏽鋼



水滴型螺絲 2 x 3 mm
Screw 2 x 3 mm
材質：鍍鎳



平頭螺絲 2 x 2 mm
Screw 2 x 2 mm
材質：鍍鎳



APPROVED:	— TOLERANCES —		UNIT:	TITLE :		SHEET
ENGINEER:	General	Angles	mm	Stand off, gasket and screw		1 / 1
CHECKED:	30~ ±0.25	0° ±10°	SCALE:	DRAWING NUMBER:	Date	SIZE
DRAWN:	10~30 ±0.20	0.0° ±2°	1 : 1	Stands off, gasket, Screw	2011/JULY/02th	A4
	5~10 ±0.15					REV.
	0~5 ±0.10					A/0