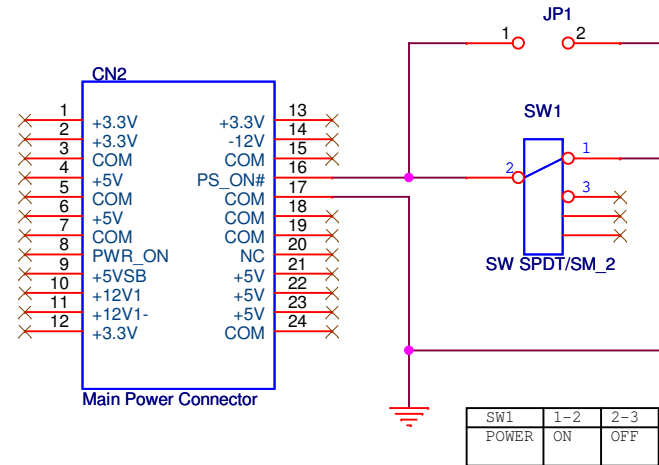


Model: SWEX

Product: ATX power switch Rev.1.1

Schematic update note:
2009/Sep/15 V1.1



Title		
ATX Power Switch		
Size	Document Number	Rev
A4	SWEX	V1.1
Date:	Friday, December 25, 2009	Sheet 1 of 3