

# M.2 to SATA adapter Ver 1.3

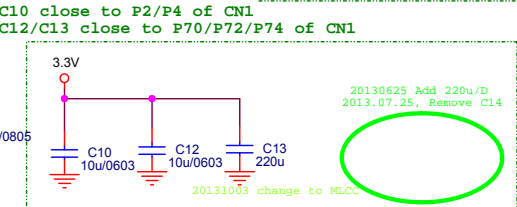
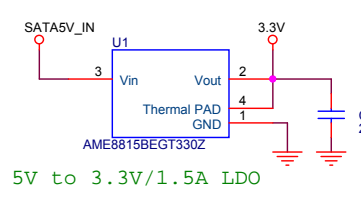
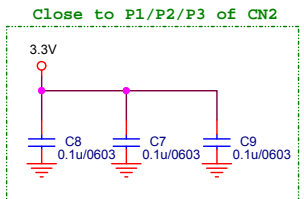
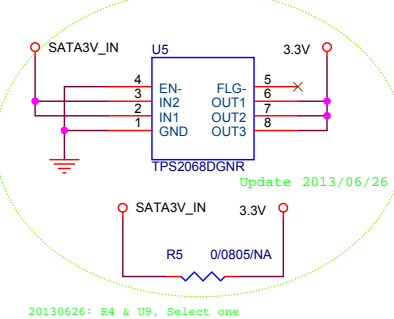
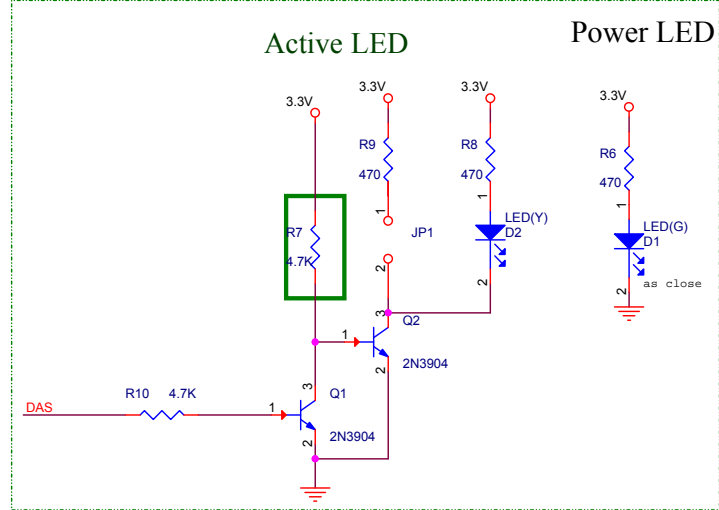
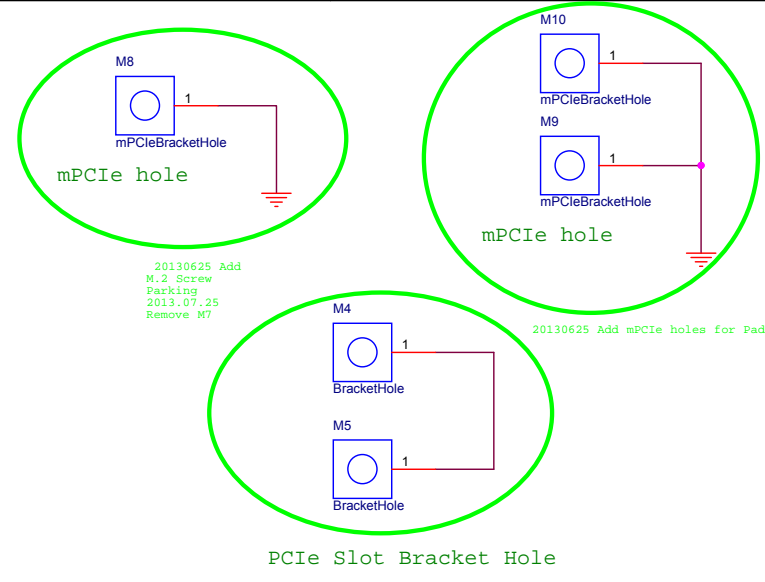
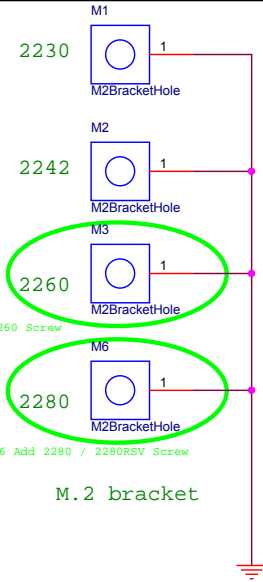
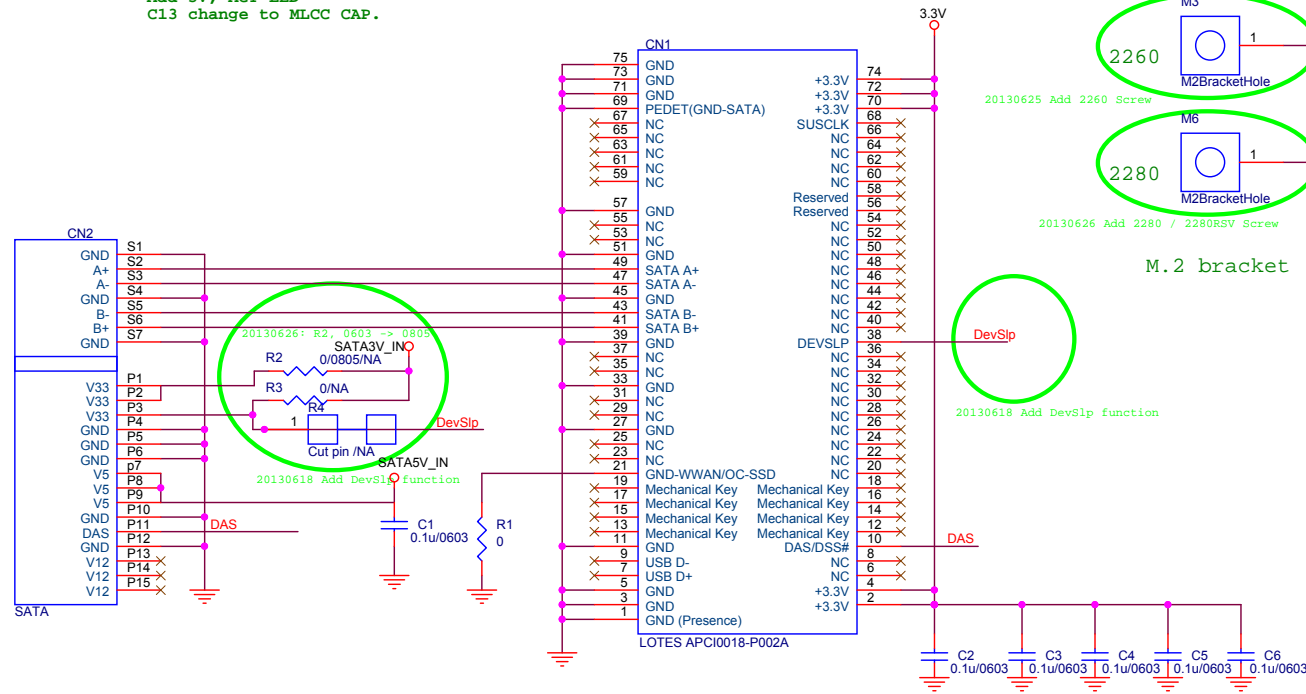
## Model:SSDM2

History: Ver 1.0 first release

Ver 1.1 DevSlp , 2280 support

Ver 1.2 Delete C14, M4,M5,M7. No support for module mode.

Ver 1.3 Add M4/M5. Support for module mode.  
Add 3V, ACT LED  
C13 change to MLCC CAP.



www.bplus.com.tw		Design by: Roger Tseng	
Title			
M.2 to SATA Adapter			
Size B		Document Number	
SSDM2		Rev 1.3	
Date:		Wednesday, February 04, 2015	
Sheet		1 of 1	