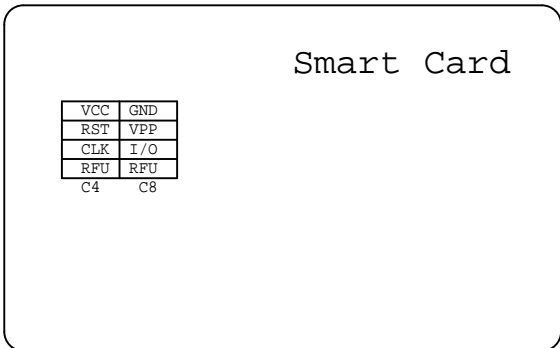
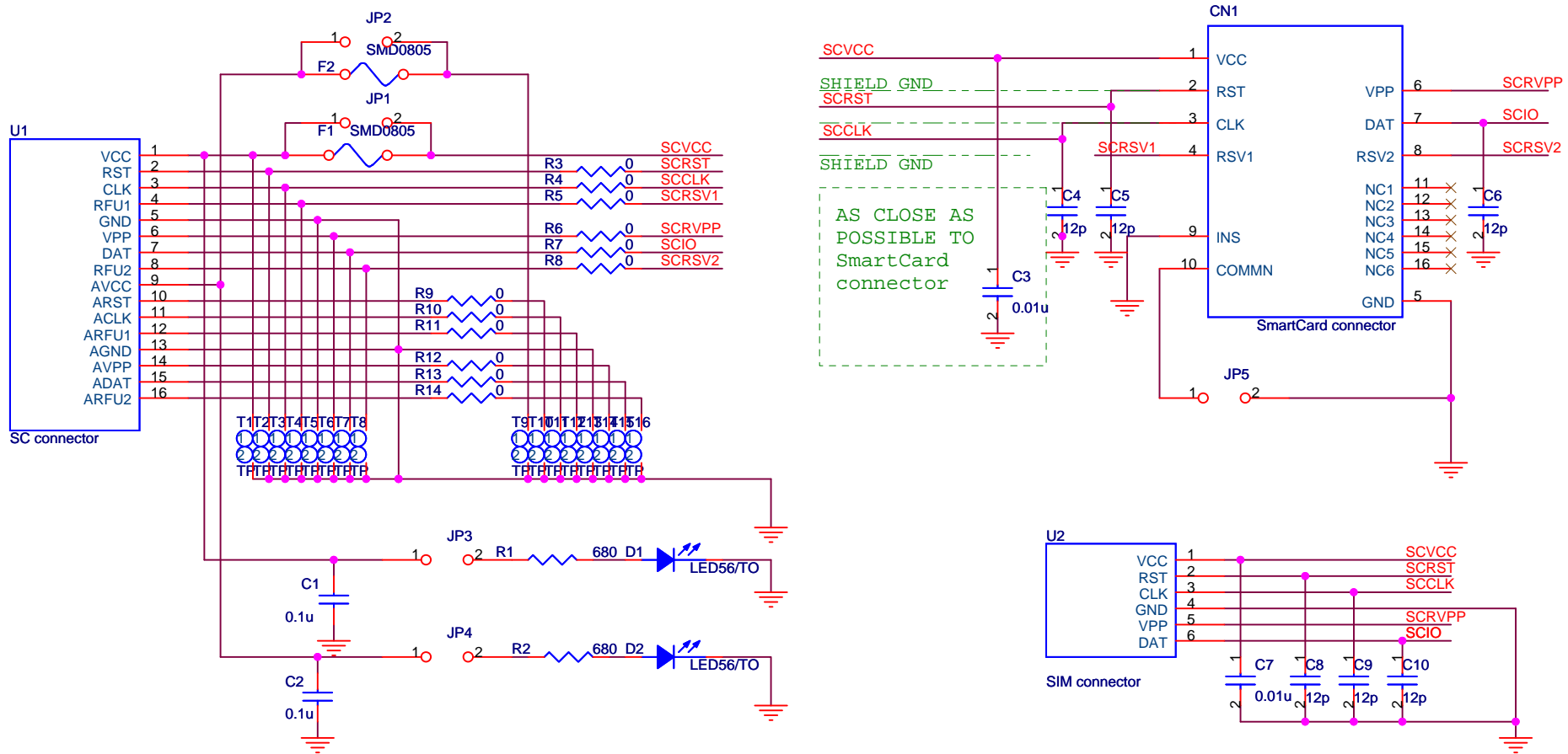


Smart Card Extender

Reference Schematic Rev. 1.1

Schematic update note:

First schematic.....2008/Jul/26 V1.0
 Second schematic.....2008/Aug/08 V1.1



F1	Fuse
F2	Fuse
C1	0.1u
C2	0.1u
C3	0.01u
C4	12P
C5	12P
C6	12P
C7	0.01u
C8	12P
C9	12P
C10	12P
D1	LED
D2	LED

LED	DESCRIPTION
D1	SCVCC
D2	AFNOR SCVCC

JUMP	OPEN	SHORT
JP1 Fuse	Enable	Disable
JP2 Fuse	Enable	Disable
JP3 LED	Disable	Enable
JP4 LED	Disable	Enable
JP5 CD	Enable	Disable

Title		Designer: Roger Tseng
Smart card Extender		
Size	Document Number	Rev
A4	Smart Card Extender	1.0
Date: Friday, August 08, 2008		Sheet 1 of 1