

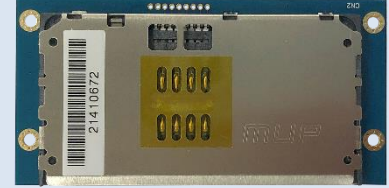
RC17B

Smart Card Reader module

Product > Smart Card Reader > RC17B

The **RC17B** single smart card reader module is a highly integrated single slot Smart Card reader controller which supports for UART or RS232 SPI 3-/4-wired interface to system.

RC17B can be generally applied to Smart Card read/write terminal device, such as ATM, POS terminal, Public telephone, E-Commerce, personal consumption on Internet, personal certification, prepay system, loyalty system...etc.



RC17B-UR
For UART

RC17B-RS
For RS232

Features

- ◆ **RC17B-UR**:Standard UART interface.
- ◆ **RC17B-RS**:Standard RS232 interface.
- ◆ Support single slot
- ◆ Support UART (RS232) baud rate: 4800, 9600, 19200, 38400, 115200, 230769 and 461538bps
- ◆ Support SPI clock rate: 1.1M, 12M, 1.3M, 1.5M, 1.7M and 2MHz
- ◆ Support up to 5 smart card slots for single UART (RS232) interface
- ◆ EMVCo 4.3C Level 1 Specification certified
- ◆ PBOC3.0 Level 1 Specification certified
- ◆ Support PC Smart Card industry standard-PC/SC 2.0
- ◆ Support ISO7816 T0, T1 protocol
- ◆ Support ISO7816 Class A, B, C (5/3/1.8V) cards
- ◆ Support I2C memory card, SLE4418, SLE4428, SLE4432, SLE4442, SLE4436, SLE5536, SLE6636, AT88SC1608, AT45D041 card and AT45DB041 card
- ◆ Support card power over current protection mechanism
- ◆ Access LED.

Dimension & Weight

- 66mm X 33mm X 8mm ; 13g

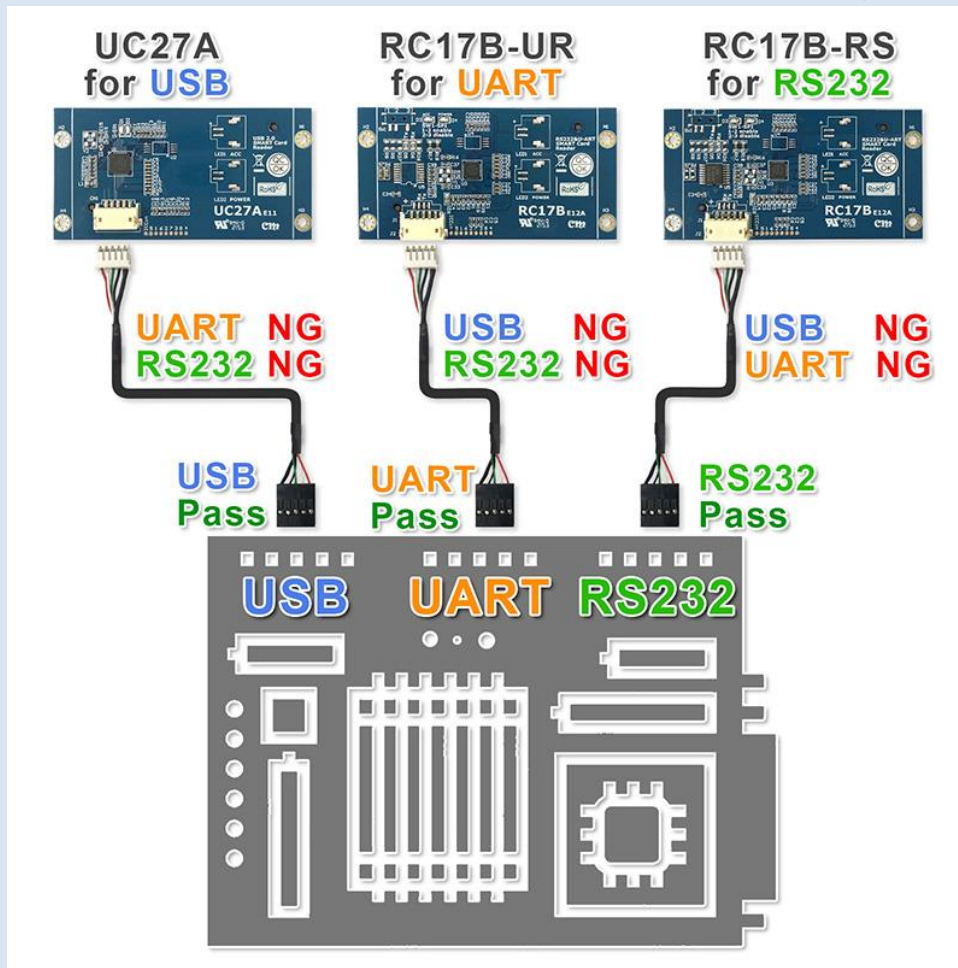
Certification

- RoHS

Operating Temperature

- 0 ~ 70°C

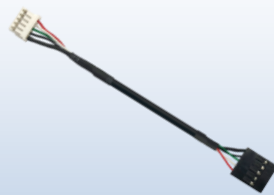
SmartCard Reader Products Compatibility Chart



RC17B-UR Package Contents



RC17B-UR PCBA x1

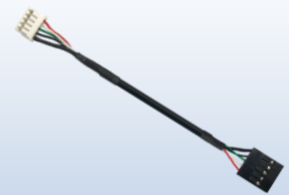


Y05-U02-060
(USB Dupont 5PIN Cable)x1

RC17B-RS Package Contents



RC17B-RS PCBA x1



Y05-U02-060
(USB Dupont 5PIN Cable)x1