

# Model Name: PM3N ver 1.10

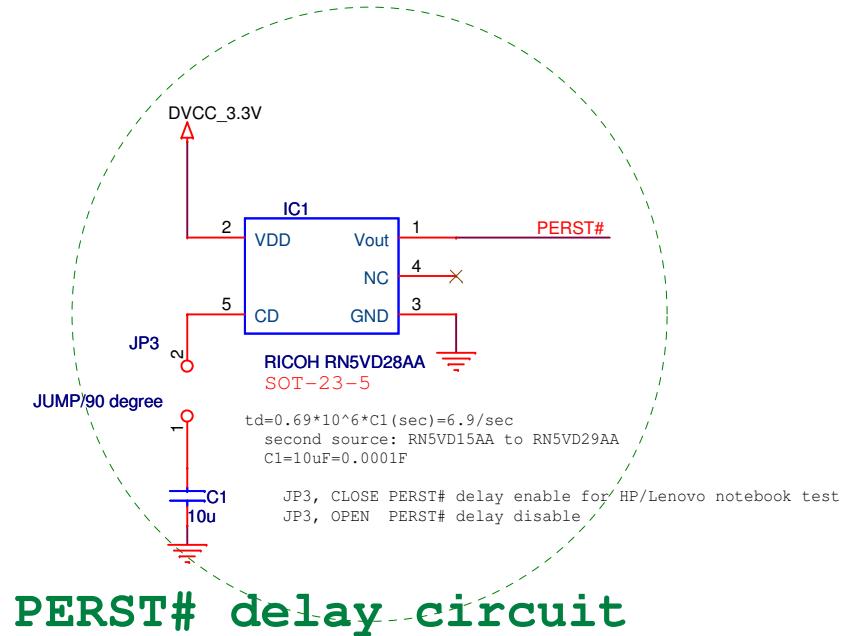
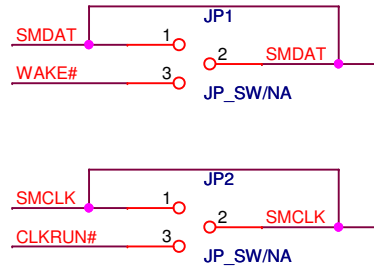
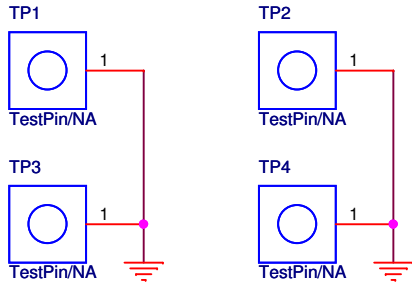
## Project Name: PCI express minicard adapter

Schematic update note:

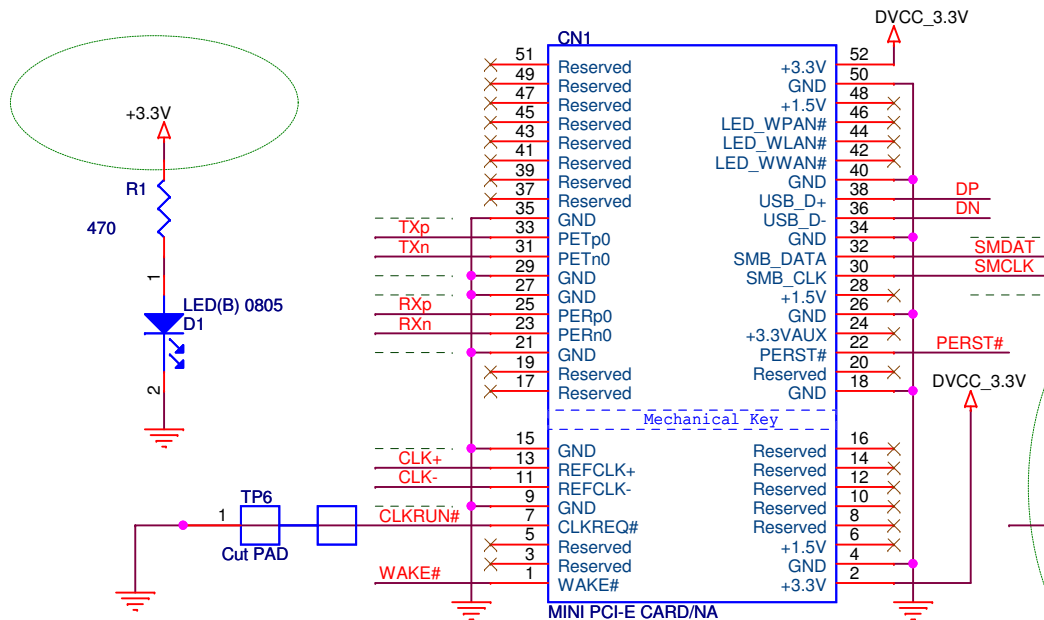
Ver 1.00 First released.....2009/07/24

Ver 1.10 Second released.....2009/09/23

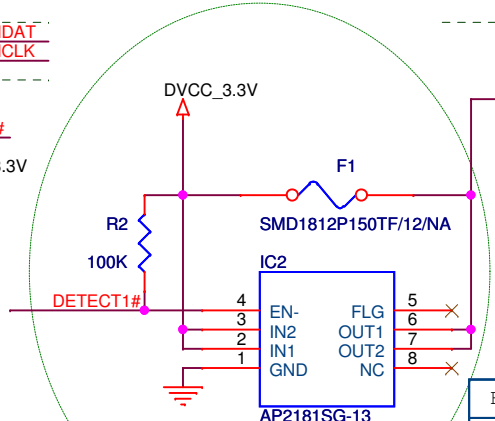
For nando whitelist and PnP request. Add F1, IC1, IC2, JP3



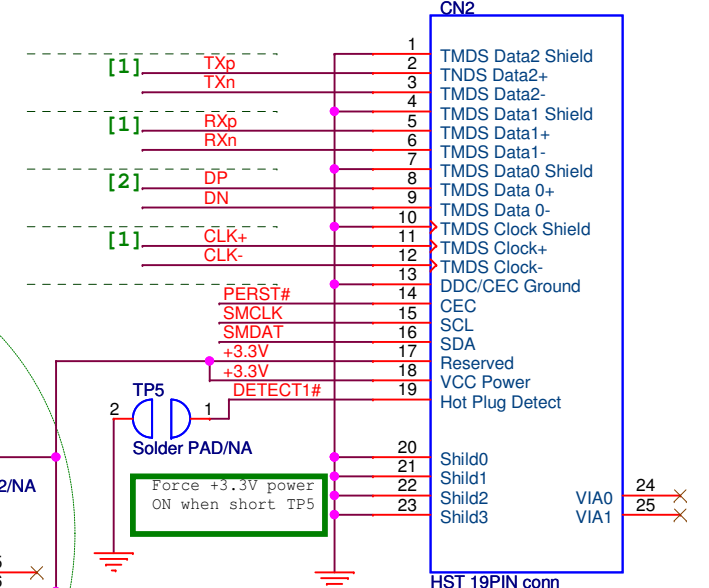
PERST# delay circuit



Mini PCI-E Card



POWER protect circuit



Custom PCIe conn

Bplus Technology Co.,. Ltd.		www.bplus.com.tw	
Title		mPCIe adapter	
Design by Gerry Chen			
Size A4	Document Number	PCI Express MINI CARD	Bplus Technology Co.,. Ltd.
Date:	Wednesday, December 16, 2009	Sheet 1	of 1
		Rev 1.1	