

Model Name: PE4L

Product Name: PCIe Add-on Card adapter

schematic Ver1.4c

Schematic update note:

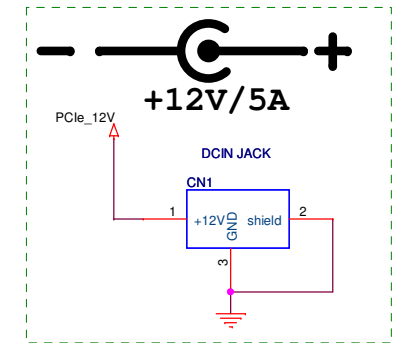
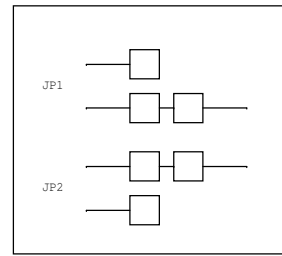
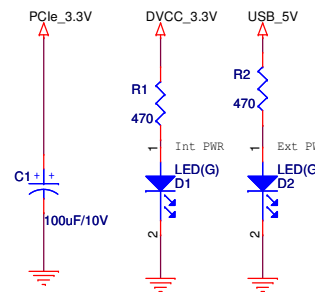
First released.....2009/June/20 V1.10

2nd released.....2009/Aug /01 V1.20

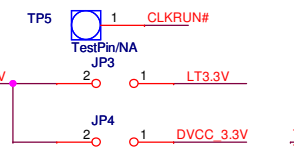
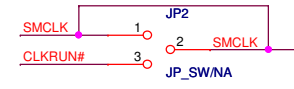
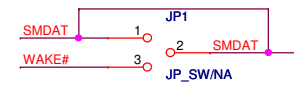
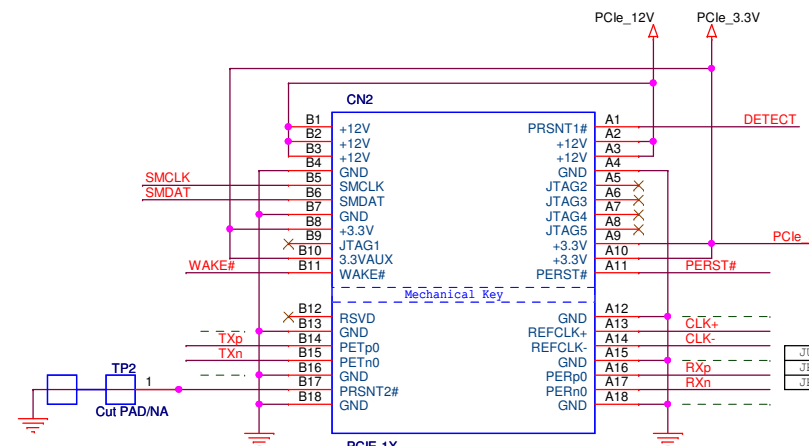
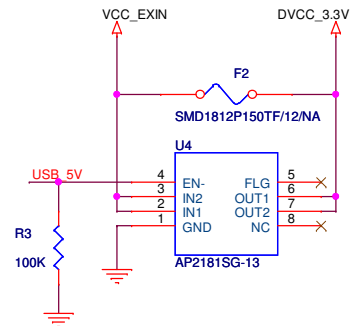
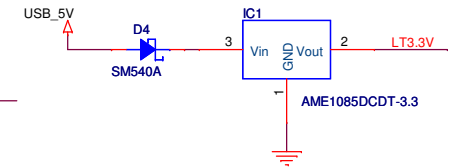
Add Floppy +12V, +5V input
Add USB port
Change DC/DC to V/R LT1084Ct-3.3

3rd released.....2009/Dec /08 V1.40

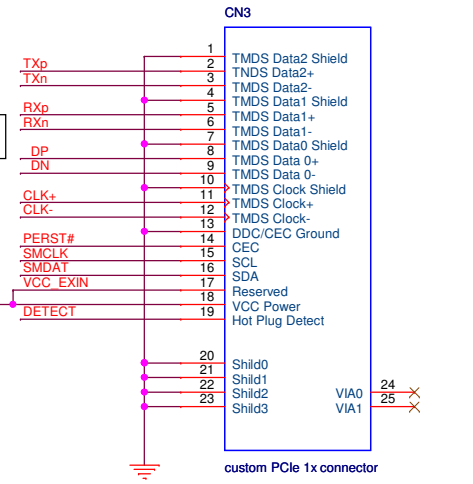
Add U4 AP2181 power switch IC
Add D4



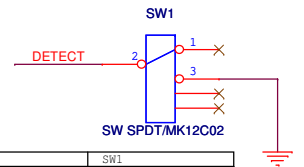
LED	Description
D1	Internal PC POWER
D2	External DC Jack POWER



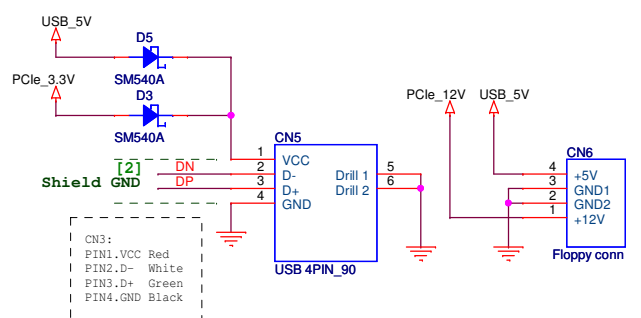
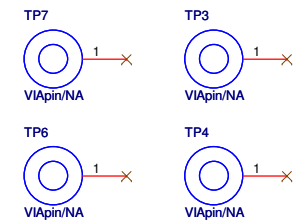
JUMP	Description	Default
JP3	External DC jack POWER	CLOSE
JP4	Internal PC POWER	CLOSE



PE4L product design for x1 PCIe add-in card. Insert x2, x4, x8, x16 may not detect and no power. Switch SW1 to 2-3 can force detect and power ON to test all of PCIe card.



	SW1
For x1 PCIe card	1-2 (default)
For x2, x4, x8, x16 PCIe card	2-3



Title				www.BPlus.com.tw	
PE4L	PCIe adapter	design by: Mike			
Size	Document Number	Bplus Technology Co., Ltd.		Rev	
B	PCIE_EXCARD			1.4c	
Date:	Thursday, March 18, 2010	Sheet	1	of 1	