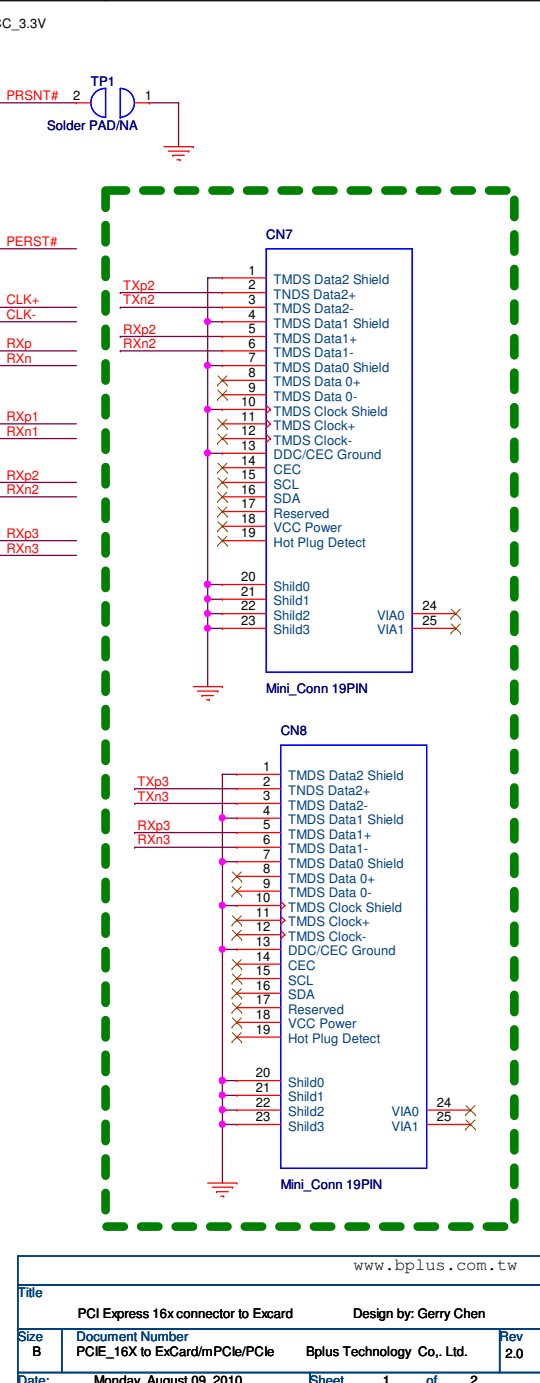
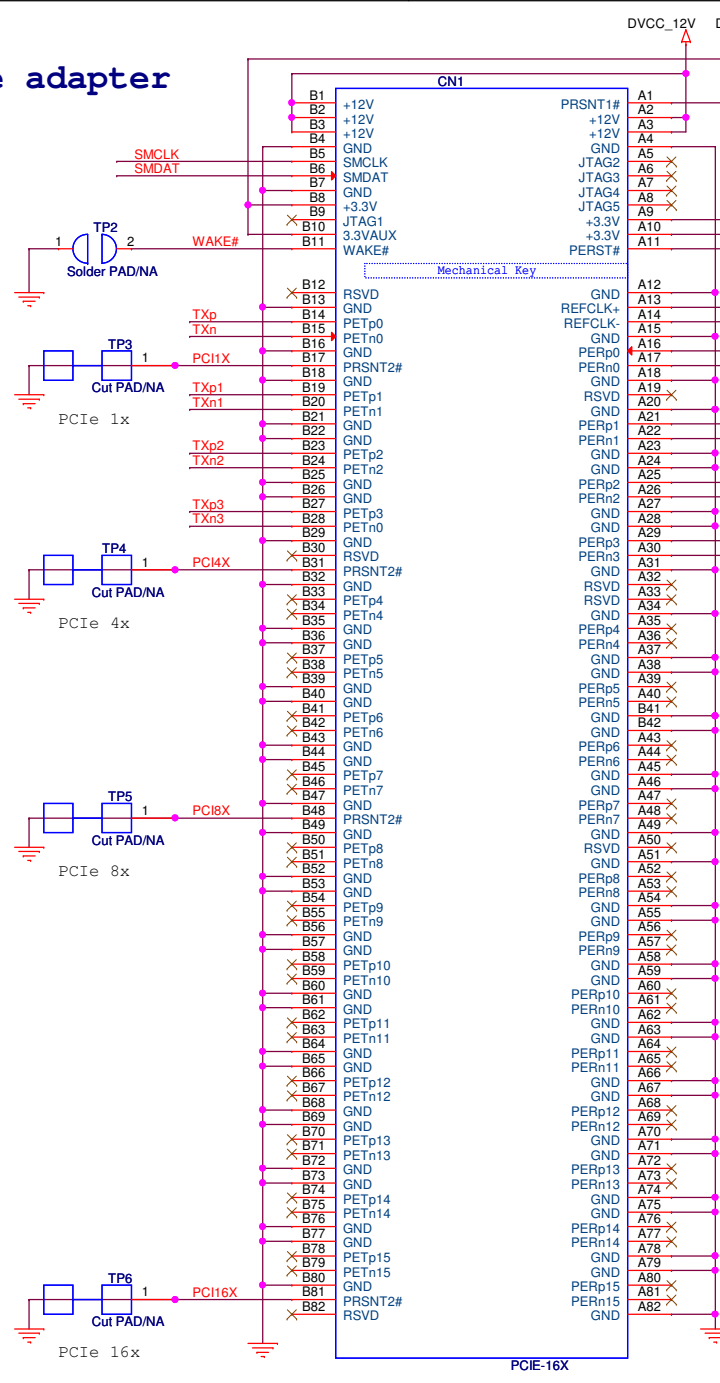
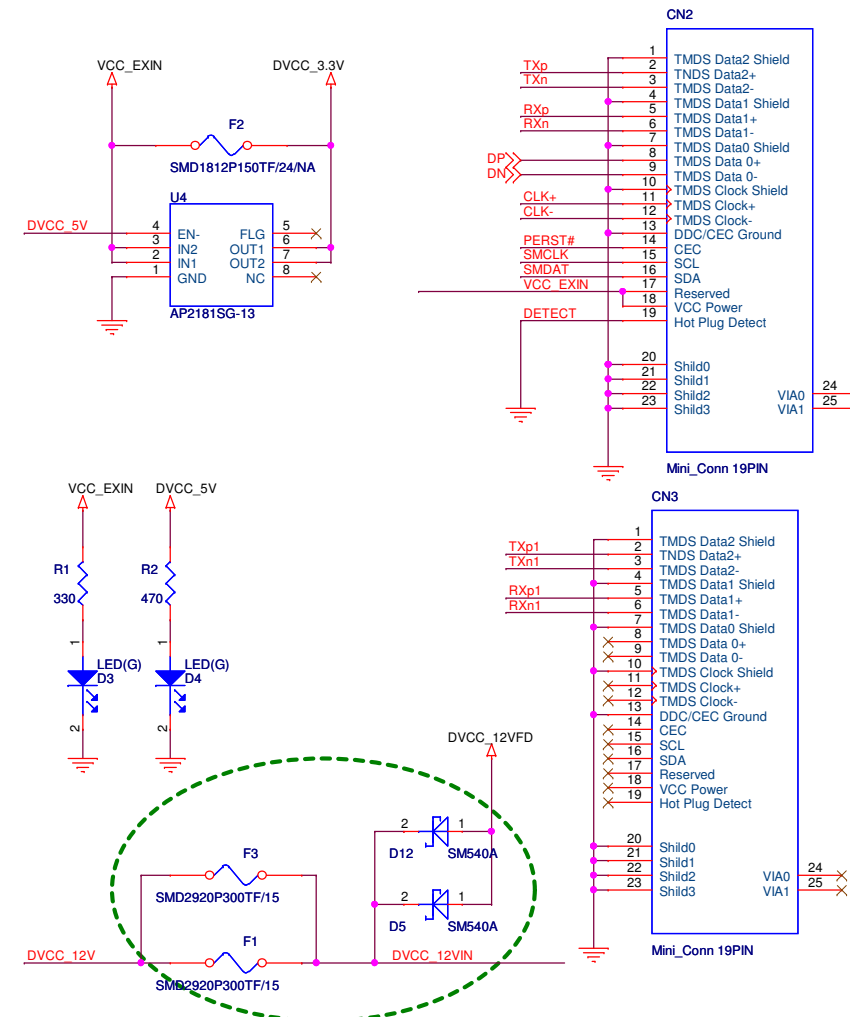


Revision History

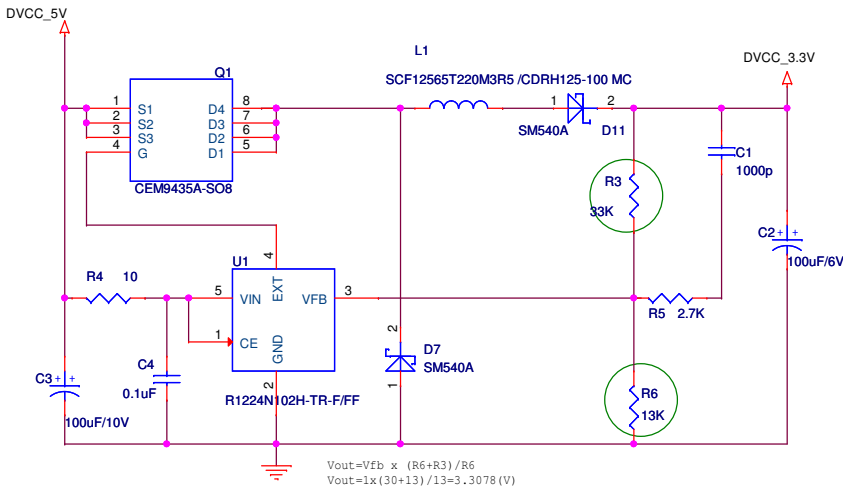
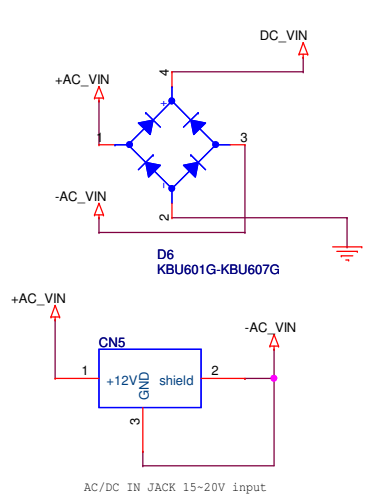
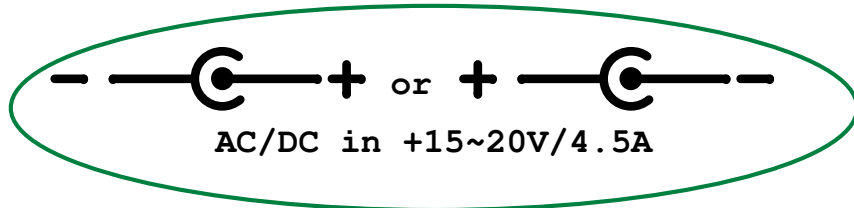
Date	Version	Description
2009 Oct 07	1.0a	First Release
2010 Mar 07	2.0a	Support PCIe 4x,



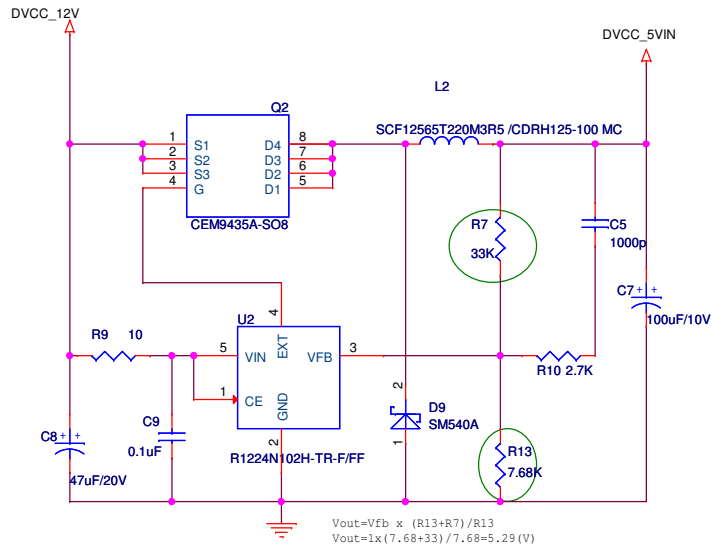
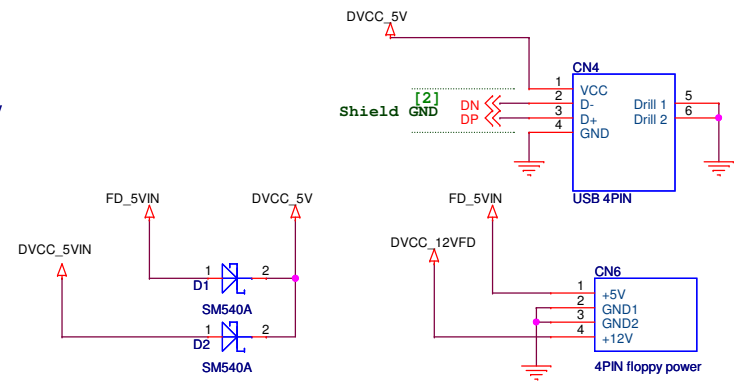
www.bplus.com.tw			
Title	PCI Express 16x connector to Excard		Design by: Gerry Chen
Size	Document Number	Bplus Technology Co., Ltd.	Rev
B	PCIE_16X to ExCard/mPCIe/PCIe		2.0
Date:	Monday, August 09, 2010	Sheet	1 of 2

Product Name: PCI-E 16X to Excard adapter

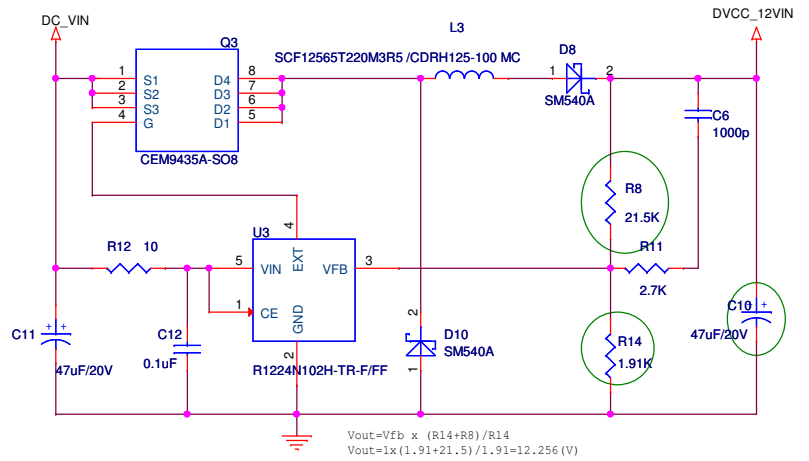
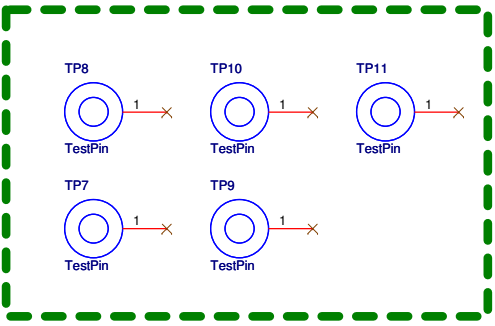
Ver 2.0



5V to 3.3V/3A DCDC circuit diagram



12V to 5V/3A DCDC circuit diagram



12V~20V to 12V/3A DCDC circuit diagram

Title			
PCI Express 16x connector to Excard		Design by Mike Mao	
Size	Document Number	Bplus Technology Co., Ltd.	Rev
B	PCIE_16X to EXCARD		2.0
Date:	Monday, August 09, 2010	Sheet	2 of 2