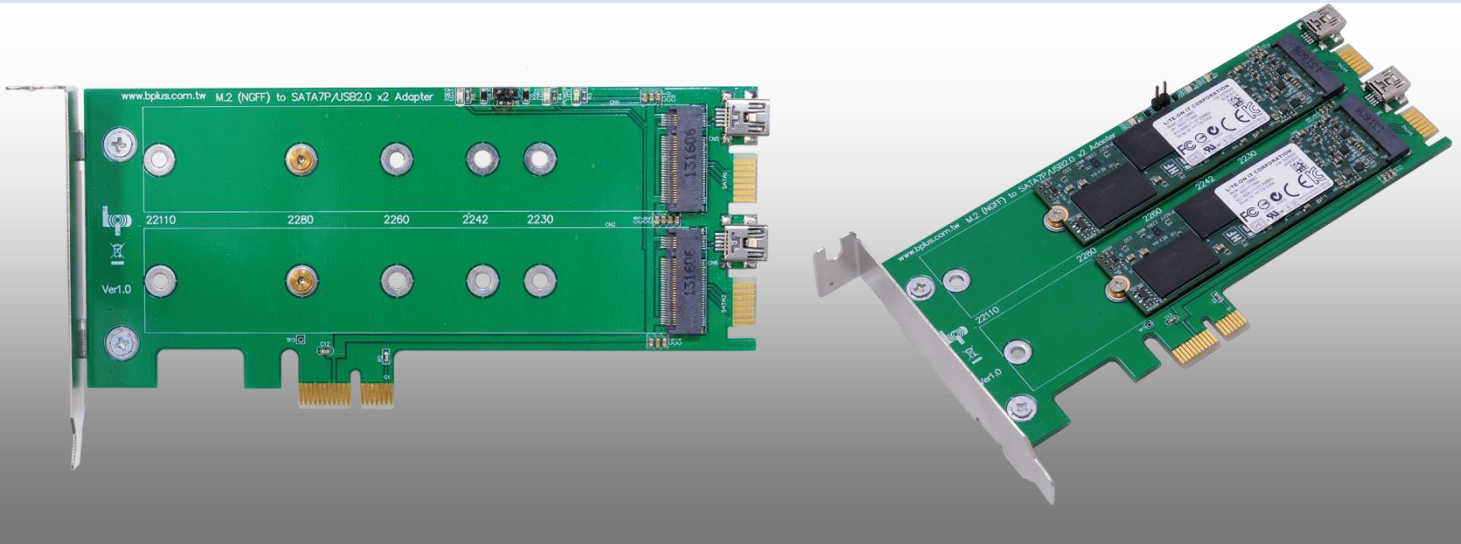


## M2PS

### Dual M.2 (NGFF) SSD to SATA Adapter

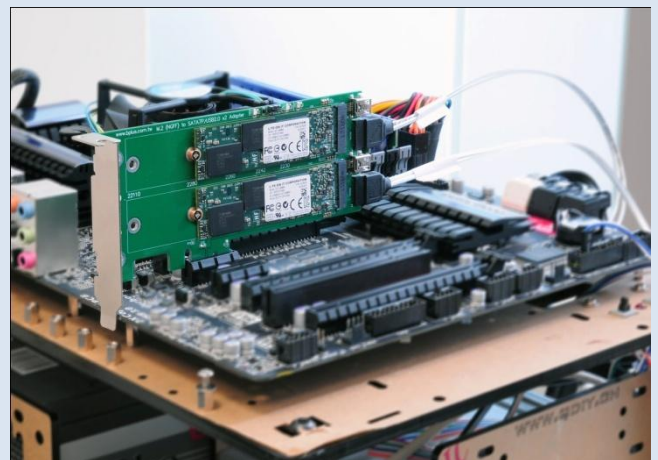
Product > M.2 interface > M2PS



### First Impression

M.2 stands for Next Generation Form Factor which is invented for PCI-SIG by Intel and it is developed for flat and high-efficiency equipment such as Ultrabook™ or Tablet PCs. It is a natural transition from the Mini Card and Half Mini Card to a smaller form factor in both size and volume which supports multiple function add-in cards/modules including: Wi-Fi, Bluetooth, global navigation satellite systems, near field communication, Hybrid digital radio, wireless gigabit alliance (WiGig), wireless wide area network and solid-state storage devices. Also adds functionality to USB 3.0, display Port, SDIO and SSD-PCIe

M2PS adapter enables two M.2(NGFF) SSD as a HDD Card for desktop PC. This module allows you connect Dual M.2(NGFF) SSD to SATA slot. The module can support system boot.

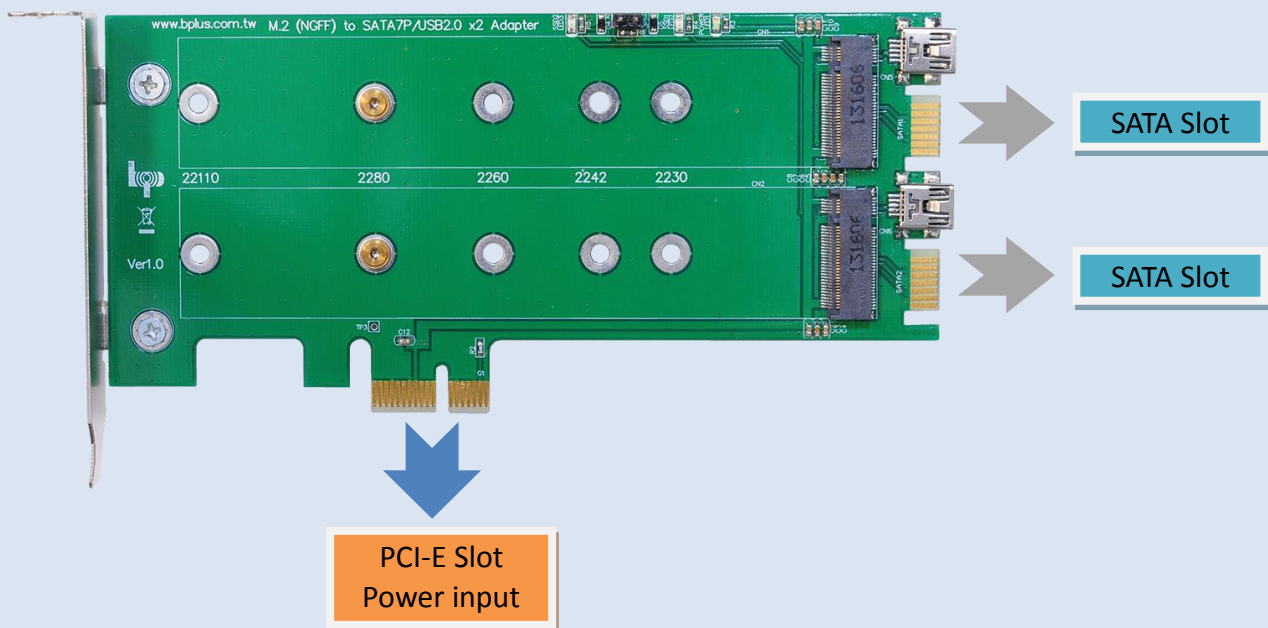


## Function

- ◆ Allows user to use standard SATA-IO M.2 SATA SSD to SATA hard drive in the Desktop or Laptop.
- ◆ Support Hi-Speed SATA3 / 6Gbps mass storage interface.
- ◆ Transparent to the operating system and does not require any software drivers.

## Specification

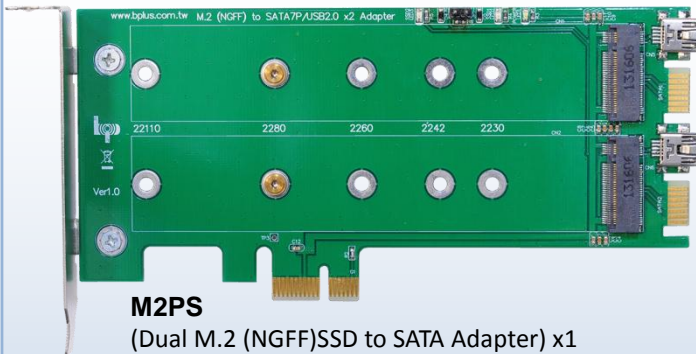
- ◆ M.2 SSD to SATA adapter.
- ◆ M.2 Specification Revision 0.9
- ◆ Serial ATA Spec. Reversion 3.2
- ◆ Support 2230/2242/2260/2280 /22110 type M.2 Card dimension.
- ◆ Support M.2 Socket 2 SATA-based SSD Module.
- ◆ Support M.2 Key B Card Type.



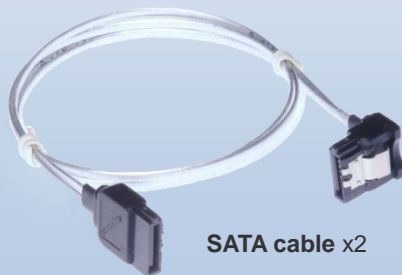
**System Requirements:**

- ◆ System supporting SATA 7pin data port and PCI-E slot

**M2PS Package Contents**



**JP0155**  
(Standard Height PCI Express bracket) x1



**SATA cable x2**



**Flat-Head Screw x2**